

Homelite®

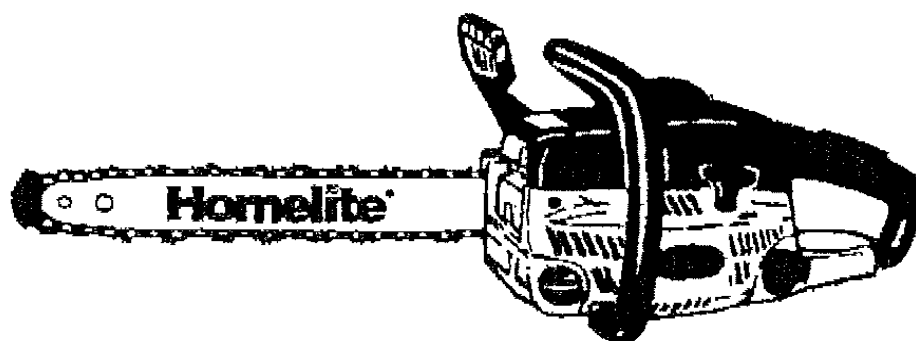
GA PARTS LIST

F LISTE DE PIÈCES

D TEILELISTE

I ELENCO DEI PEZZI

E LISTA DE PIEZAS



d3350b

UT10767

d3350bc

UT10768

z3350b

UT10759

z3350bc

UT10771

i3350b

UT10774

d3850b

UT10769

d3850bc

UT10770

z3850b

UT10772

z3850bc

UT10773

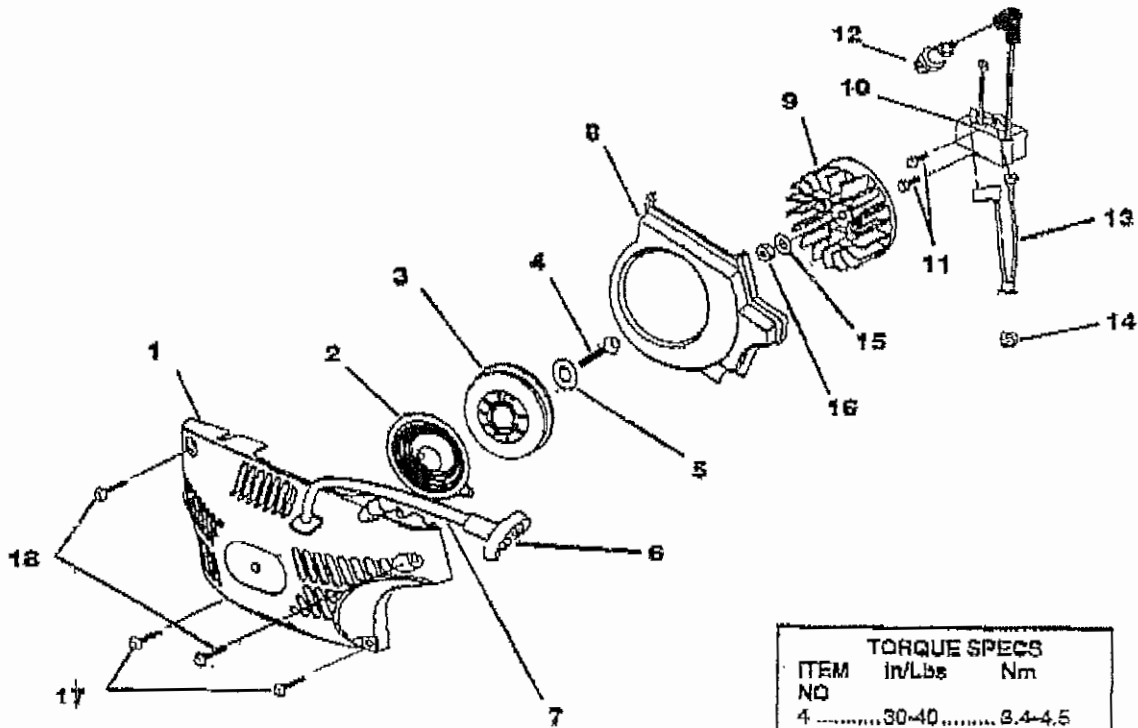
i3850b

UT10758

Printed in U.S.A.
Imprimé aux E.-U.
Gedruckt in den U.S.A.
Stampato negli Stati Uniti
Impresso en EE. UU.

P/N 16010

STARTER - IGNITION

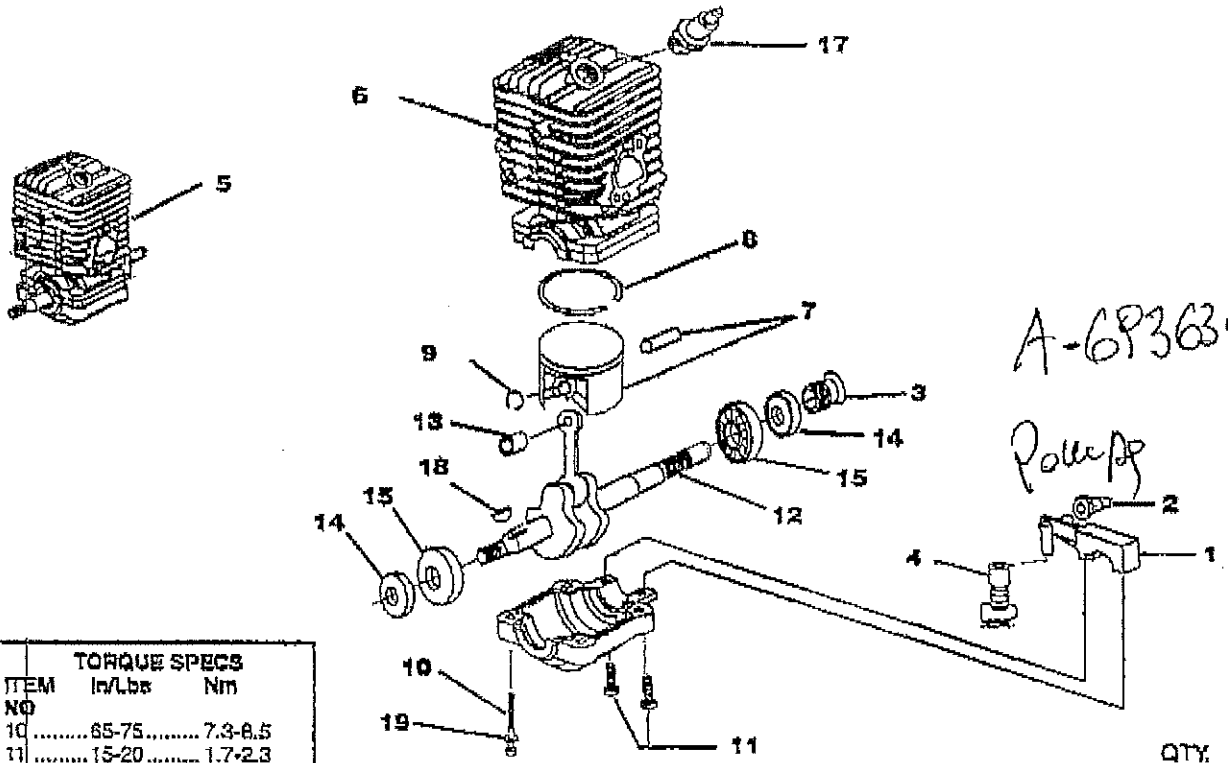


TORQUE SPECS		
ITEM NO	in/Lbs	Nm
4	30-40	3.4-4.5
11	30-40	3.4-4.5
17	100-150	11.3-18.9
18	30-40	3.4-4.5
19	30-40	3.4-4.5

NO.	PART NO.	DESCRIPTION	QTY.
1	A 08679	Starter Kit	1
2	A 97908	Spring & Container	1
3	97788 B	Pulley, Starter	1
4	82963	Screw, Thread Form (10-14 x 3/4")	1
5	94062	Washer, Retaining	1
6	07588	Grip, Starter	1
7	97899 01	Rope, Starter 48"	1
8	08876	Baffle, Fan Housing	1
9	A 04158	Rotor & Starter Pawl	1
10	A 08678	Ignition Kit	1
11	82575	Screw, Thread Form (8-32 x 5/8")	2
12	93581 S	Spark Plug	1
13	A 07602	Ignition Switch Harness	1
14	07587	Grommet, Wire Harness (Split)	1
15	84085	Washer, Flat	1
16	81229 A	Nut, Jam	1
17	82620	Screw, Truss Hd. (10-14 x 7/8")	2
18	82821	Screw, Truss Hd. (10-14 x 5/8")	2

Assembly
Ensembles
Baupätze
Composés
Conjuntos

ENGINE INTERNAL

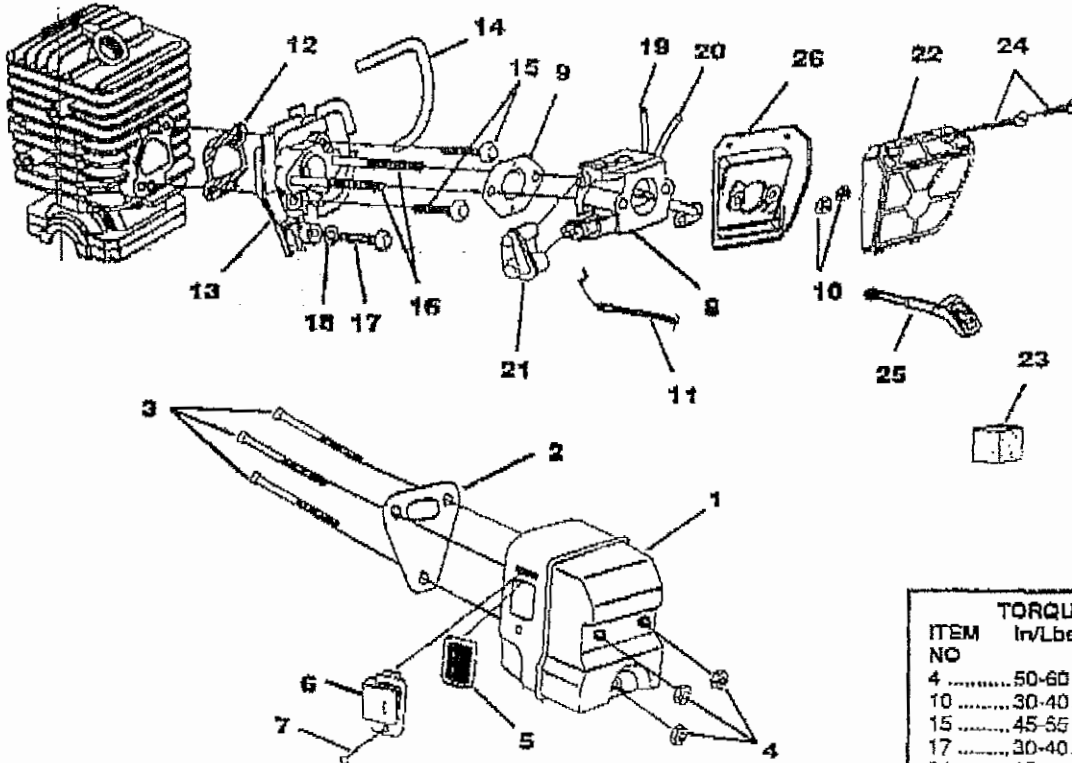


TORQUE SPECS		
ITEM NO	In/Lbs	Nm
10	65-75	7.3-8.5
11	15-20	1.7-2.3

Assembly
 Ensembles
 Baugätze
 Complots
 Conjuntos

NO.	PART NO.	DESCRIPTION	QTY.
1	A 06882	Oil Pump Kit	1
2	06841	Grommet, Oil Outlet	1
3	06847	Left Hand Worm	1
4	06848	Tubs, Oil Intake	1
	A 68593	Oil Filter (Not Shown)	1
5	A 08671	Short Block, Complete (33cc)	1
	A 08672	Short Block, Complete (38cc)	1
6	A 08886	Cylinder Kit (33cc)	1
	A 08667	Cylinder Kit (38cc)	1
	06839	Gasket, Muffler (Not Shown)	1
	06840	Gasket, Heat Dam (Not Shown)	1
	98339	Gasket, Carburetor (Not Shown)	1
7	A 08668	Piston & Pin (33cc)	1
8	04833	Piston Ring	1
9	84813	Ring, Retaining	2
7	A 08689	Piston & Pin (38cc)	1
8	06857	Piston Ring	1
9	84813	Ring, Retaining	2
10	82527	Screw, Cap-Socket Hd. (10-24 x 2")	4
11	06851	Screw, Pan Hd. (8-16 x 5/8")	2
12	A 08670	Crankshaft & Rod Assembly	1
13	04921	Bearing, Needle	1
14	04920	Shaft Seal	2
15	A 04831	Bearing & Case	2
16	04919	Case (Not Shown)	1
17	93561 S	Spark Plug	1
18	69250	Woodruff Key	1
19	84008	Washer	4

CARBURETOR - MUFFLER - AIR FILTER

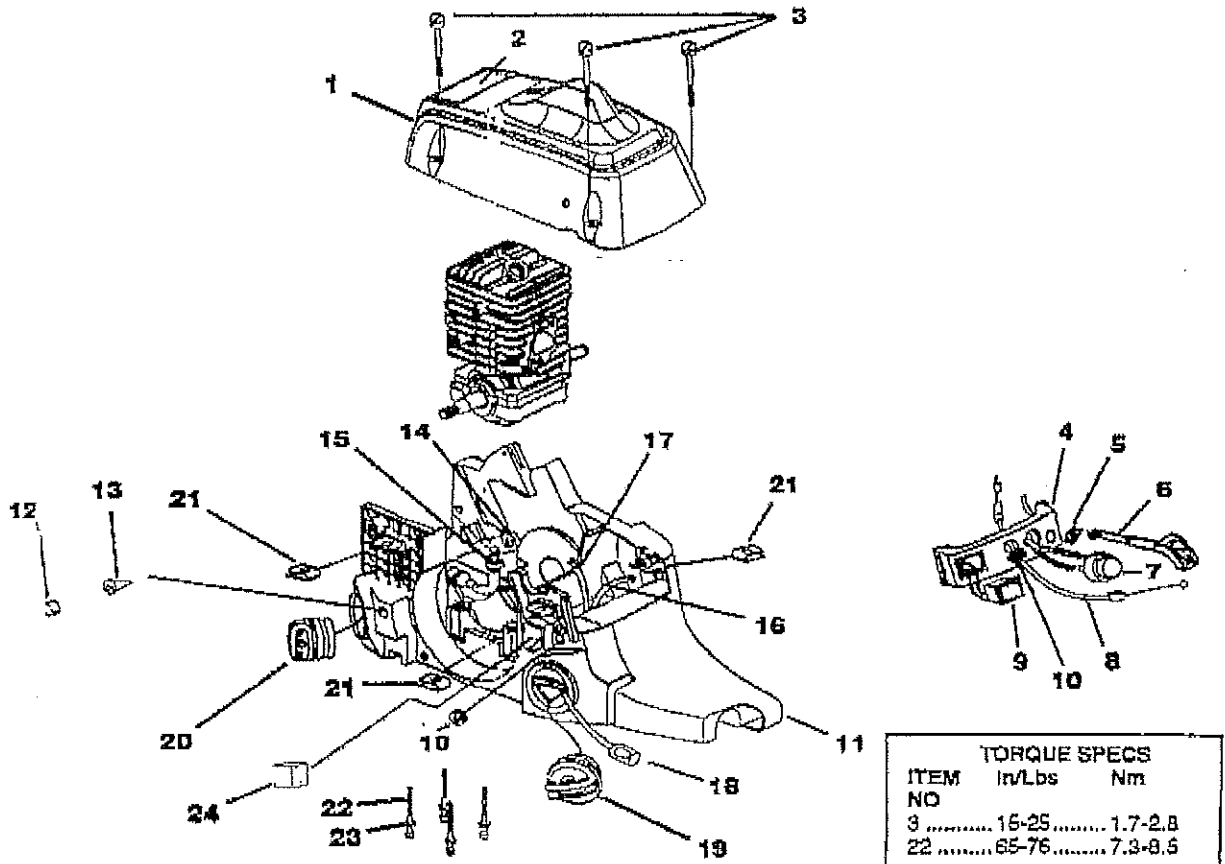


TORQUE SPECS		
ITEM NO	lbf/Lbs	Nm
4	50-60	5.6-6.7
10	30-40	3.4-4.5
15	45-55	5.0-6.2
17	30-40	3.4-4.5
24	15-20	1.7-2.3

NO.	PART NO.	DESCRIPTION	QTY.
1	• A 08894	Muffler Kit	1
2	06839	Muffler Gasket	1
3	07592	Screw-Square Hd.	3
4	81206	Nut-Locking Hex (10-32)	3
5	07394	Screen, Spark	1
6	07397	Diffuser, Muffler	1
7	95922	Screw	1
8	• A 08674	Carburetor Kit	1
9	98339	Carburetor Gasket	1
10	07589	Flange Nut (10-24)	2
11	A 02596	Throttle Cable	1
12	06840	Gasket, Heat Dam	1
13	04918	Heat Dam	1
14	06873	Seal, Heat Dam	1
15	82539	Screw, Truss Hd. Taptite (10-24 x 7/8")	2
16	06852	Screw, Carburetor	2
17	82541	Screw, Thread Form (10-14 x 1/2")	1
18	12789	Washer, Retaining	1
19	07454 34	Fuel Line (Tank to Carburetor 8 1/2')	1
20	07454 16	Fuel Line (Carburetor to Purge Bulb 4')	1
21	04907	Carburetor Grommet	1
22	• A 08693	Air Filter Kit	1
23	04938	Air Filter Cover	1
24	07407	Pre Filter (In engine housing)	1
25	82817	Screw-Blotted Pan Hd. (8-16 x 5/8")	2
26	07579	Rod, Choke	1
27	04935	Air Filter Plate	1

Assembly
 Ensemble
 Baueinheit
 Compleso
 Conjunto

ENGINE HOUSING - FUEL TANK - OIL TANK

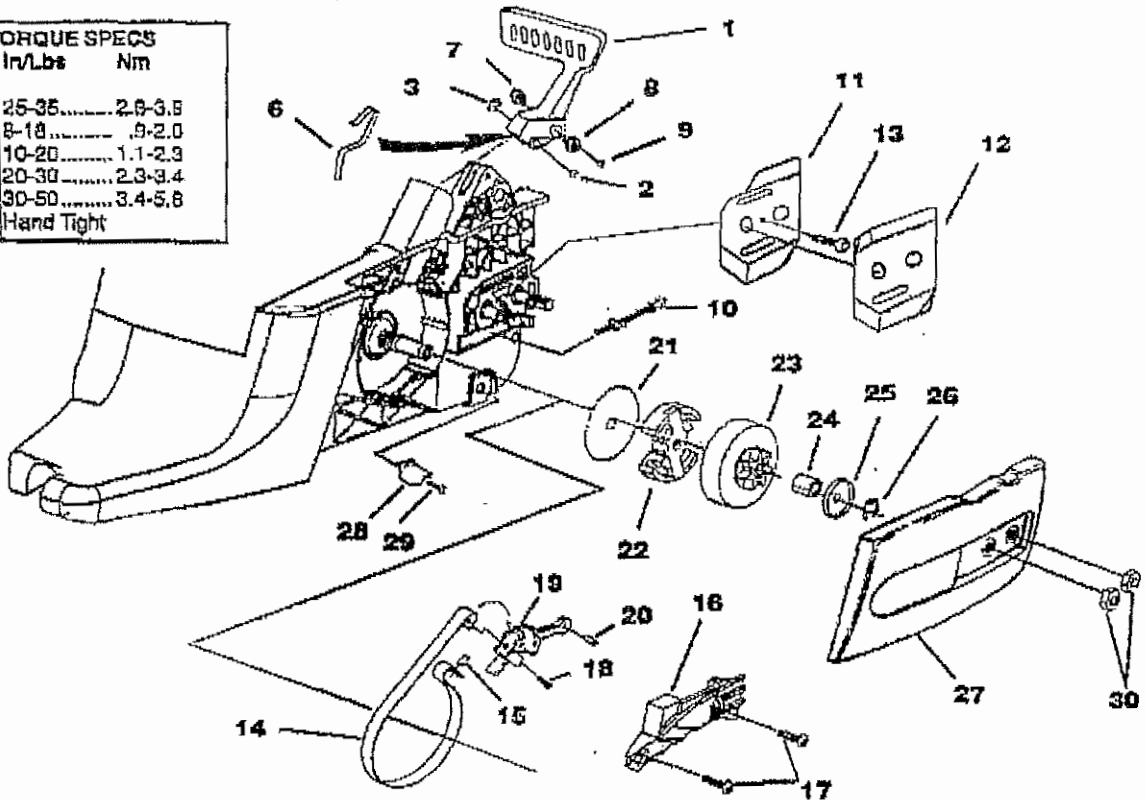


NO	PART NO.	DESCRIPTION	QTY.
1	A 08882	Cylinder Cover Kit	1
2	07566	Safety Decal	1
3	07567	Screw-Slotted Pan Hd.	3
4	07379	Control Panel	1
5	64862	Grommet	1
6	07579	Rod, Choke	1
7	01183	Bulb, Air Purge	1
8	A 07596	Throttle Cable	1
9	07920	Switch, Rocker	1
10	07587	Grommet - Split	2
11	A 04917	Engine Housing	1
12	07403	Element, Filter (Bronze)	2
13	03134	Duck Bill Valve	2
14	06841	Oil Outlet Grommet	1
15	06848	Oil Intake Tube	1
16	07454-22	Rubber Tubing (5 1/2")	1
17	07454-34	Rubber Tubing (8 1/2")	1
18	49422	Fuel Filter	1
19	A 07590	Fuel Cap w/ Retainer	1
20	A 07591	Oil Cap w/ Retainer	1
21	A 88583	Oil Filter (Not Shown)	1
21	07598	Speed Nut ("U-Type")	3
22	82527	Screw, Cap-Socket Hd. (10-24 x 2")	4
23	84008	Washer	4
24	07407	Pre Filter	1

Assembly
 Ensemble
 Baugruppe
 Complesso
 Conjunto

CLUTCH - CHAIN BRAKE - DRIVE CASE COVER

TORQUE SPECS		
ITEM NO	In/Lbs	Nm
9	25-35	2.9-3.9
13	8-10	.9-2.0
17	10-20	1.1-2.3
18	20-30	2.3-3.4
29	30-50	3.4-5.6
30	Hand Tight	

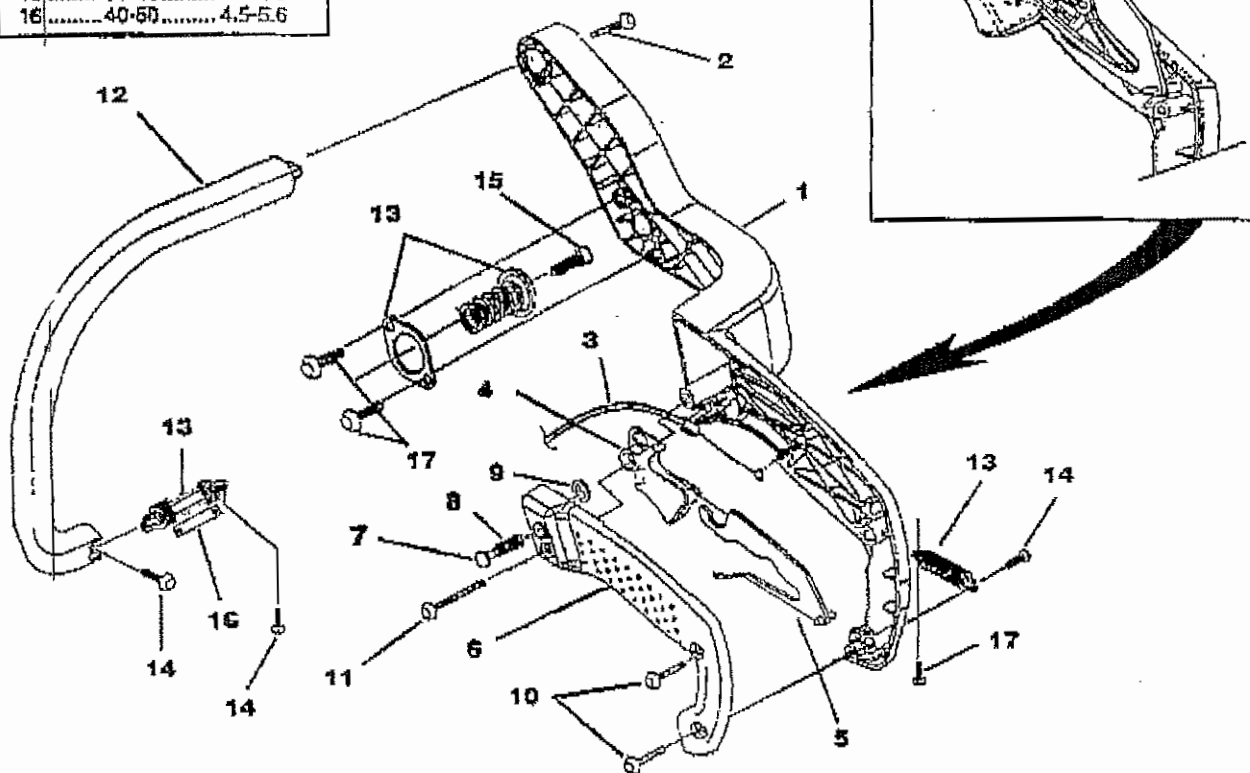


NO.	PART NO.	DESCRIPTION	QTY.
1	A 08681	Hand Guard Kit	1
2	07580	Hand Guard Actuating Pin	1
3	69599	Retaining Ring	1
4	07406	Hand Guard Link (Non-chain brake units-not shown)	1
5	95395-A	Roll Pin (Non-chain brake units-not shown)	1
6	07613	Spring, Handguard	1
7	07393	Pivot, L.H.	1
8	07392	Pivot, R.H.	1
9	82624	Screw, Hex Socket Hd. (8-32 x 5/8")	1
10	A 08678	Guide Bar Adjusting Kit	1
11	07404	Plate, Guide Bar	1
12	07405	Plate, Guide Bar	1
13	82513	Screw, Thread Form (6-19 x 1/2")	1
14	A 08680	Chain Brake Kit	1
15	08672	Pin, Roll	1
16	08843	Cover, Chain Brake	1
17	82513	Screw, Pan Hd. (6-18 x 1/2")	2
18	82823	Screw, Pan Hd. (8-16 x .320)	1
19	A 07612	Chain Brake Link	1
20	95395 A	Pin, Roll	1
21	04940	Thrust Washer	1
22	A 09025 <i>3 Resistor</i>	Clutch <i>020 018 300960003</i>	1
23	A 04924 <i>Washer</i>	Sprocket & Drum	1
	A 06887 <i>1-01028</i>	Sprocket & Drum (For 13850b only) <i>date 11/3/03</i>	1
24	04927	Bearing, Needle	1
25	04939 A	Washer, Cupped	1
26	02236	Ring, Retaining	1
27	A 08673	Drive Case Cover	1
28	95212	Stop, Chain	1
29	82553	Screw, Thread Form (10-14 x 3/4")	1
30	81196	Nut, Hex	2

Assembly
 Ensemble
 Sous-ensembles
 Complexes
 Conjuntos

HANDLES

TORQUE SPECS		
ITEM NO	In/Lbs	Nm
2	40-50	4.5-5.6
10	30-40	3.4-4.5
11	30-40	3.4-4.5
15	30-40	3.4-4.5
16	40-50	4.5-5.6



NO.	PART NO.	DESCRIPTION	QTY
1	• A 08675	Rear Handle Kit	1
2	06870	Handle, Rear	1
3	82815	Screw-Pan Hd. (12-14 x 1 1/2")	1
4	A 07596	Throttle Cable	1
5	07382	Trigger, Throttle	1
6	07383	Throttle Lock Out	1
7	▾ A 08883	Handle Cover Kit	1
8	07388	Throttle Lock Pin	1
9	08888	Spring, Compression	1
10	58409	Ring, Retainer	1
11	82563	Screw, Thread Form (10-14 x 3/4")	2
12	82622	Screw, Thread Form (10-14 x 1 3/8")	1
13	• A 08895	Front Handle Kit	1
14	82615	Screw-Pan Hd. (12-14 x 1 1/2") (See No. 2 above)	1
15	• A 08677	Isolator Kit	1
16	82821	Screw, Truss Hd. (10-14 x 5/8")	3
17	82597	Screw, Truss Hd. (10-24 x 5/8")	1
	01812 A	Limiter, Isolator	1
	82541	Screw, Thread Form (10-14 x 1/2")	3

Assembly
 Ensemble
 Baugätze
 Complexes
 Conjuntos